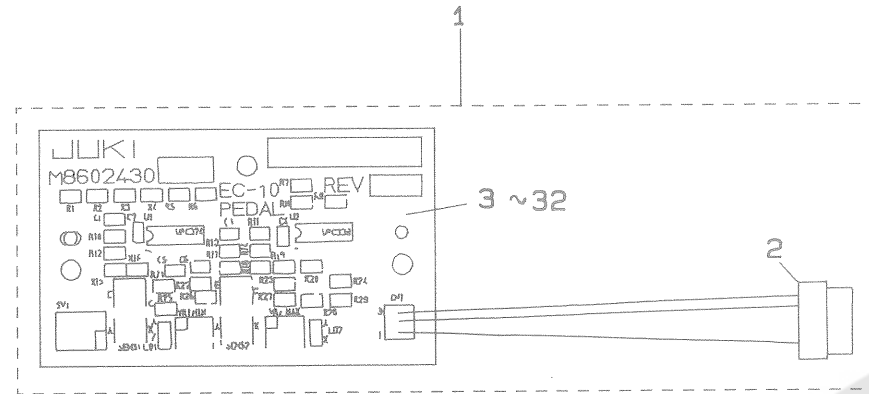


Control Equipment for Industrial Sewing Machine
 ミシンコントローラ

EC-10

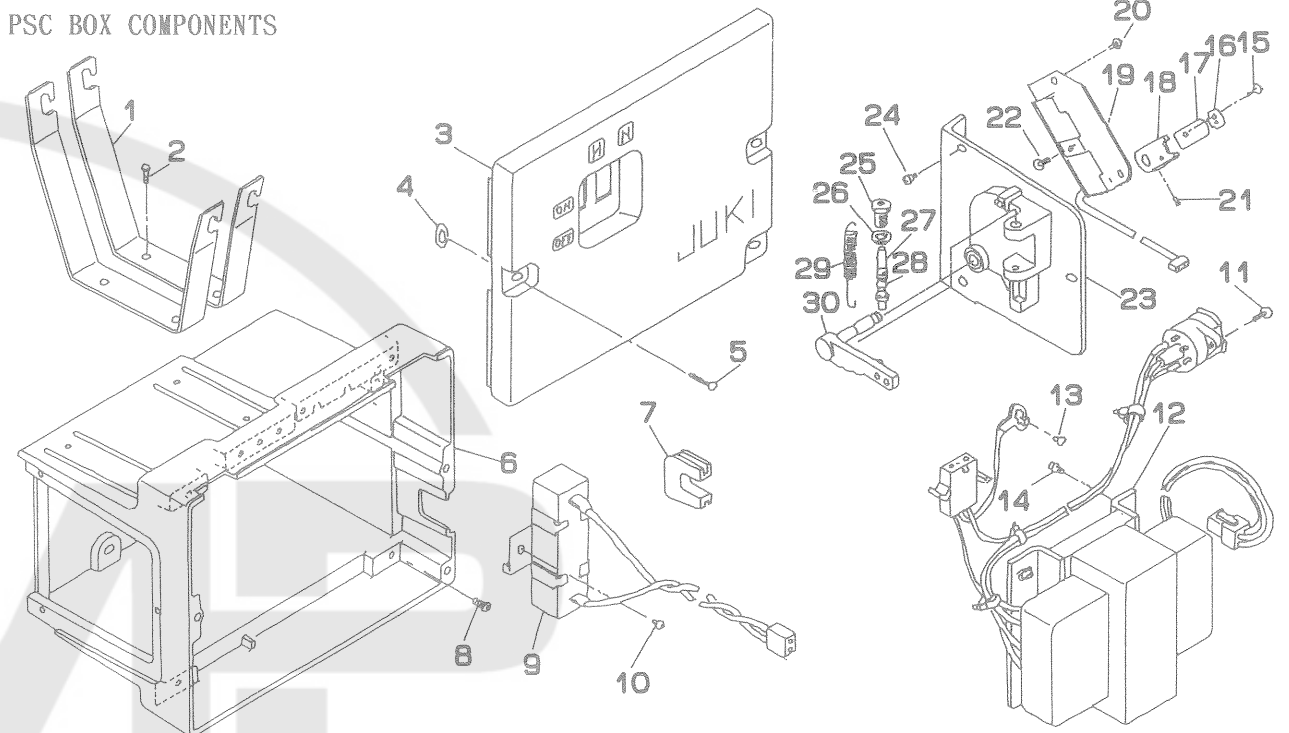
PARTS LIST

29151602
 No.0988-00



REF.NO	NOTE	PART NO.	DESCRIPTION	Qty
1		M8602-430-AA0	PEDAL CIRCUIT BOARD ASM.	1
2		M8512-430-OA0	PEDAL SENSOR CORD ASM.	(1)
3		HL-0084700-00	IC (UPC324G)	(1)
4		HL-0084500-00	IC (UPC339G)	(1)
5		HD-0000900-00	PHOTO MICRO SENSOR	(2)
6		HR-0296050-30	VARIABLE RESISTOR 50K OHM	(1)
7		HR-0296020-10	VARIABLE RESISTOR 200 OHM	(1)
8		HR-0342027-00	RESISTOR 27 OHM	(1)
9		HR-0342013-10	RESISTOR 130 OHM	(1)
10		HR-0342015-10	RESISTOR 150 OHM	(1)
11		HR-0342027-10	RESISTOR 270 OHM	(1)
12		HR-0342075-10	RESISTOR 750 OHM	(2)
13		HR-0342020-30	RESISTOR 20K OHM	(1)
14		HR-0342010-40	RESISTOR 100K OHM	(1)
15		HR-0343422-P0	RESISTOR 42.2 OHM	(1)
16		HR-0343169-00	RESISTOR 169 OHM	(1)
17		HR-0343221-00	RESISTOR 221 OHM	(3)
18		HR-0343100-10	RESISTOR 1.00K OHM	(2)
19		HR-0343107-10	RESISTOR 1.07K OHM	(1)
20		HR-0343178-10	RESISTOR 1.78K OHM	(1)
21		HR-0343422-10	RESISTOR 4.22K OHM	(1)
22		HR-0343576-10	RESISTOR 5.76K OHM	(1)
23		HR-0343115-20	RESISTOR 11.5K OHM	(1)
24		HR-0343205-20	RESISTOR 20.5K OHM	(1)
25		HR-0343301-30	RESISTOR 301K OHM	(8)
26		HG-0037400-00	LIGHT EMITTING DIODE, RED	(2)
27		HA-0018200-20	DIP SWITCH 2P	(1)
28		HC-0216010-S0	CAPACITOR 0.1 MF	(4)
29		HC-0365110-20	CAPACITOR 1000 PF	(2)
30		M3204-430-000	POLARIZING FILM HOLDER	(2)
31		M3208-430-000	POLARIZING FILM B	(1)
32		M3209-430-000	POLARIZING FILM C	(1)

1. PSC BOX COMPONENTS



REF.NO	NOTE	PART NO.	DESCRIPTION	Qty
1		M3002-430-000	MOUNTING PLATE	2
2		SL-4041291-SC	SCREW M4 L=12	4
3		M3101-430-000	BOX COVER	1
4		M8002-430-000	SCREW STOPPER	3
5		SL-4042091-SC	SCREW M4 L=20	3
6		M3001-430-000	PSC BOX	1
7		M3301-430-000	CORD BUSHING	1
8		SL-4041081-SF	SCREW M4 L=10	5
9		M8504-430-OA0	RESISTOR ASM	1
10		SL-4041081-SF	SCREW M4 L=10	1
11		SL-4031081-SF	SCREW M3 L=10	2
12		M8502-430-AA0	POWER TRANSFORMER ASM	1
13		SL-4041081-SF	SCREW M4 L=10	1
14		SL-4041081-SF	SCREW M4 L=10	4
15		SL-4030881-SF	SCREW M3 L=8	1
16		M3205-430-000	POLARIZING FILM SUPPORT	1
17		M3207-430-000	POLARIZING FILM A	1
18		M3203-430-000	POLARIZING FILM BASE	1
19		M3206-430-000	PEDAL CIRCUIT BOARD BRACKET	1
20		SL-4030881-SF	SCREW M3 L=8	2
21		SM-8040802-TP	SCREW M4 L=8	2
22		SL-4030881-SF	SCREW M3 L=8	3
23		M3201-430-000	PEDAL SENSOR BASE	1
24		SL-4041081-SF	SCREW M4 L=10	3
25		M4012-351-000	ADJUST SCREW	1
26		M2010-110-000	ADJUST NUT	1
27		M4008-351-000-A	SPRING SHAFT A	1
28		M4010-351-000	SPRING A	1
29		M3202-430-000	SPRING	1
30		M3205-301-000	PEDAL LEVER	1

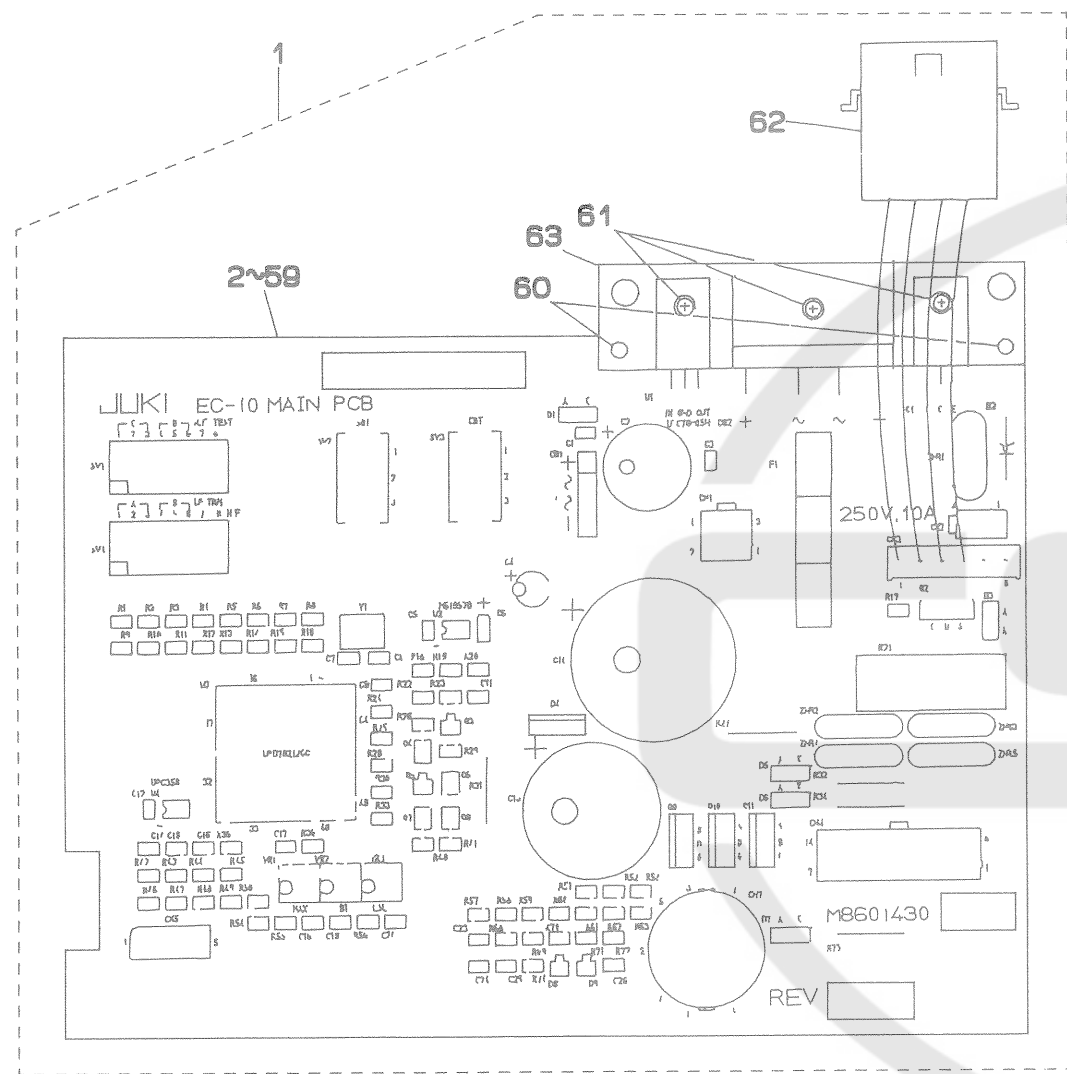
JUKI CORPORATION

HEAD OFFICE
 8-2-1 KOKURYO-CHO,
 CHOFU-CITY, TOKYO 182, JAPAN

BUSINESS OFFICE
 1-23-3 KABUKI-CHO
 SHINJUKU-KU, TOKYO 160, JAPAN

PHONE : 03(3205)1188, 1189, 1190
 FAX : 03(3203)8260, (3205)9131
 TELEX : J22967, 232-2301

2.MAIN CIRCUIT BOARD COMPONENTS



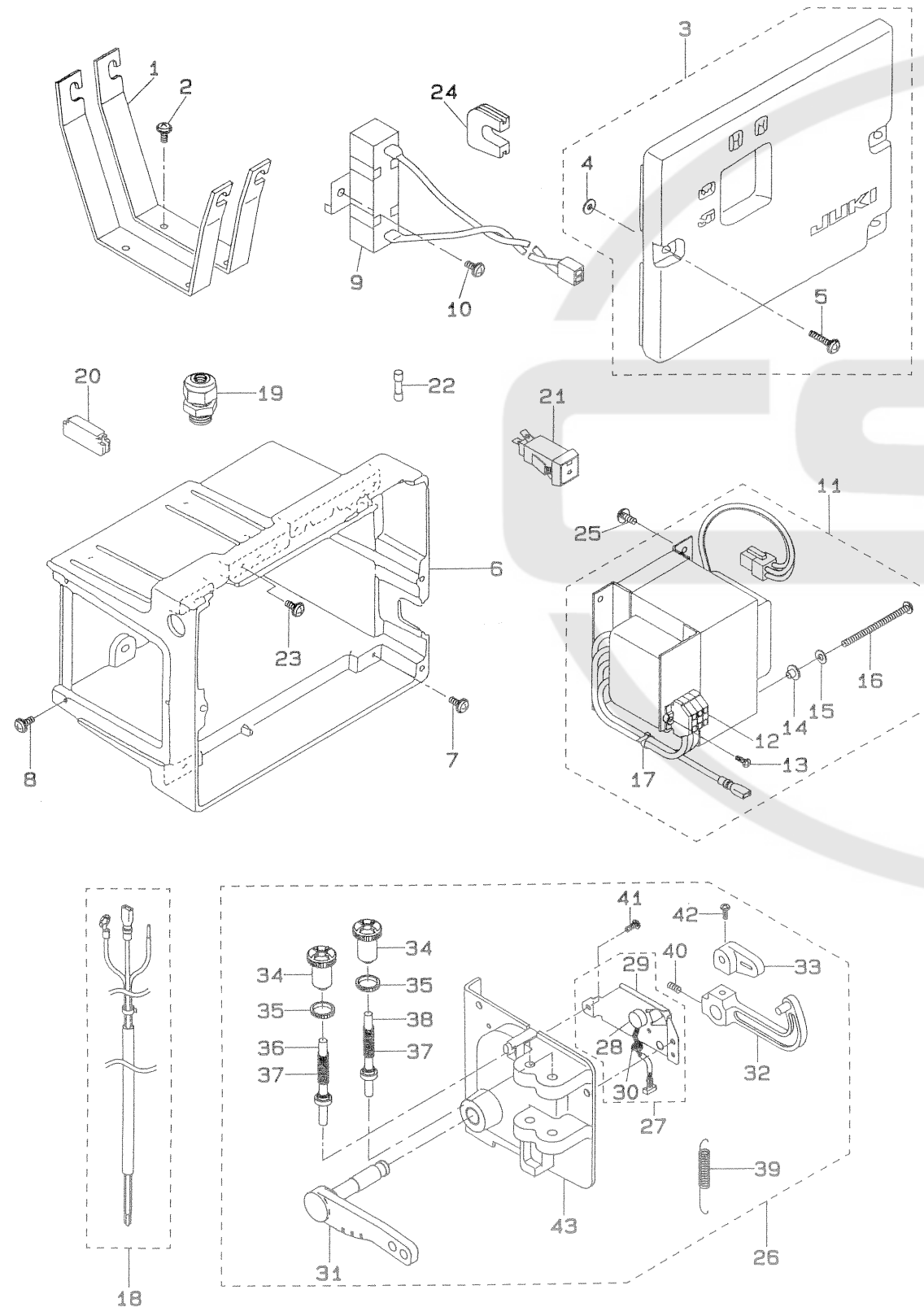
REF.NO	NOTE	PART NO.	DESCRIPTION	Qty
1		M8601-430-AAO	MAIN CIRCUIT BOARD ASM.	1
2		M9601-430-000	CPU (UPD78212GC)	(1)
3		HL-0131000-00	IC (UPC358G2)	(1)
4		HL-0132400-00	IC (M51957BFP)	(1)
5		HL-0145900-00	IC (UPC78M05AHF)	(1)
6		HT-0028800-00	TRANSISTER (RN1406)	(1)
7		HT-0040500-00	TRANSISTER (RN1502)	(3)
8		HT-0040800-00	TRANSISTER (RN4606)	(1)
9		HT-0044000-00	TRANSISTER (2SD1795)	(1)
10		HT-0044400-00	TRANSISTER (2SC3739)	(1)
11		HT-0044200-00	MOS FET (2SK1306)	(2)
12		HT-0044300-00	MOS FET (2SK1307)	(2)
13		HG-0056300-00	DIODE BRIGDE (RBV1506)	(1)
14		HG-0056400-00	DIODE BRIGDE (S1VB20)	(1)
15		HG-0056500-00	DIODE (RB420D)	(2)
16		HG-0037600-00	DIODE (FMM-22S)	(1)
17		HG-0052200-00	DIODE (SCO15-2)	(5)
18		HG-2674014-0P	DIODE (U05E)	(1)
19		HC-0406033-20	CAPACITOR 3300 MF	(2)
20		HC-0373033-20	CAPACITOR 3300 MF	(1)
21		HC-0373010-10	CAPACITOR 100 MF	(1)
22		HC-0377033-S0	CAPACITOR 0.33 MF	(1)
23		HC-0216010-S0	CAPACITOR 0.1 MF	(6)
24		HC-0216010-T0	CAPACITOR 0.01MF	(3)
25		HC-0365110-20	CAPACITOR 1000 PF	(4)
26		HC-0379130-00	CAPACITOR 30 PF	(2)
27		HC-0378110-10	CAPACITOR 100 PF	(4)
28		HR-0342010-10	RESISTOR 100 OHM	(1)
29		HR-0342056-10	RESISTOR 560 OHM	(1)
30		HR-0342010-20	RESISTOR 1K OHM	(7)
31		HR-0342022-20	RESISTOR 2.2K OHM	(5)
32		HR-0342047-20	RESISTOR 4.7K OHM	(26)
33		HR-0342010-30	RESISTOR 10K OHM	(4)
34		HR-0342024-30	RESISTOR 24K OHM	(1)
35		HR-0342047-30	RESISTOR 47K OHM	(5)
36		HR-0342015-40	RESISTOR 150K OHM	(3)
37		HR-0343432-00	RESISTOR 432 OHM	(1)
38		HR-0343649-00	RESISTOR 649 OHM	(1)
39		HR-0343100-10	RESISTOR 1.00K OHM	(1)
40		HR-0343255-10	RESISTOR 2.55K OHM	(1)
41		HR-0343316-20	RESISTOR 31.6K OHM	(2)
42		HR-0343715-20	RESISTOR 71.5K OHM	(2)
43		HR-0291010-00	RESISTOR 10 OHM 1W	(2)
44		HR-0291047-20	RESISTOR 4.7K OHM 1W	(1)
45		HR-0223022-0A	RESISTOR 22 OHM 2W	(1)
46		HR-0223047-2A	RESISTOR 4.7K OHM 2W	(1)
47		HR-0177051-00	RESISTOR 51 OHM 5W	(1)
48		EA-9523B00-00	VARIABLE RESISTOR 5K OHM 1/2W	(3)
49		HN-0003700-00	ZNR 22V	(4)
50		HN-0003700-0B	ZNR 220V	(1)
51		HA-0018200-80	DIP SWITCH 8P	(2)
52		HA-0038800-00	SWITCH	(2)
53		E9646-252-G00	LEVER	(2)
54		HY-0008900-00	CERAMIC RESONATOR 12MHZ	(1)
55		HK-0346000-20	2 POLE CONNECTOR	(1)
56		HK-0346000-40	4 POLE CONNECTOR	(1)
57		HK-0346001-40	14-POLE CONNECTOR	(1)
58		HK-0038100-50	STRAIGHT HEADER	(1)
59		HK-0063200-7B	7 POLE CONNECTOR	(1)
60		SL-4030881-SF	SCREW M3 L=8	(2)
61		SL-4031081-SF	SCREW M3 L=10	(3)
62		M8511-430-0AO	CLATCH/BRAKE CORD ASM.	(1)
63		M8001-430-000	HEAT SINK	(1)

Control Equipment for Industrial Sewing Machine

EC-10A (CE) PARTS LIST

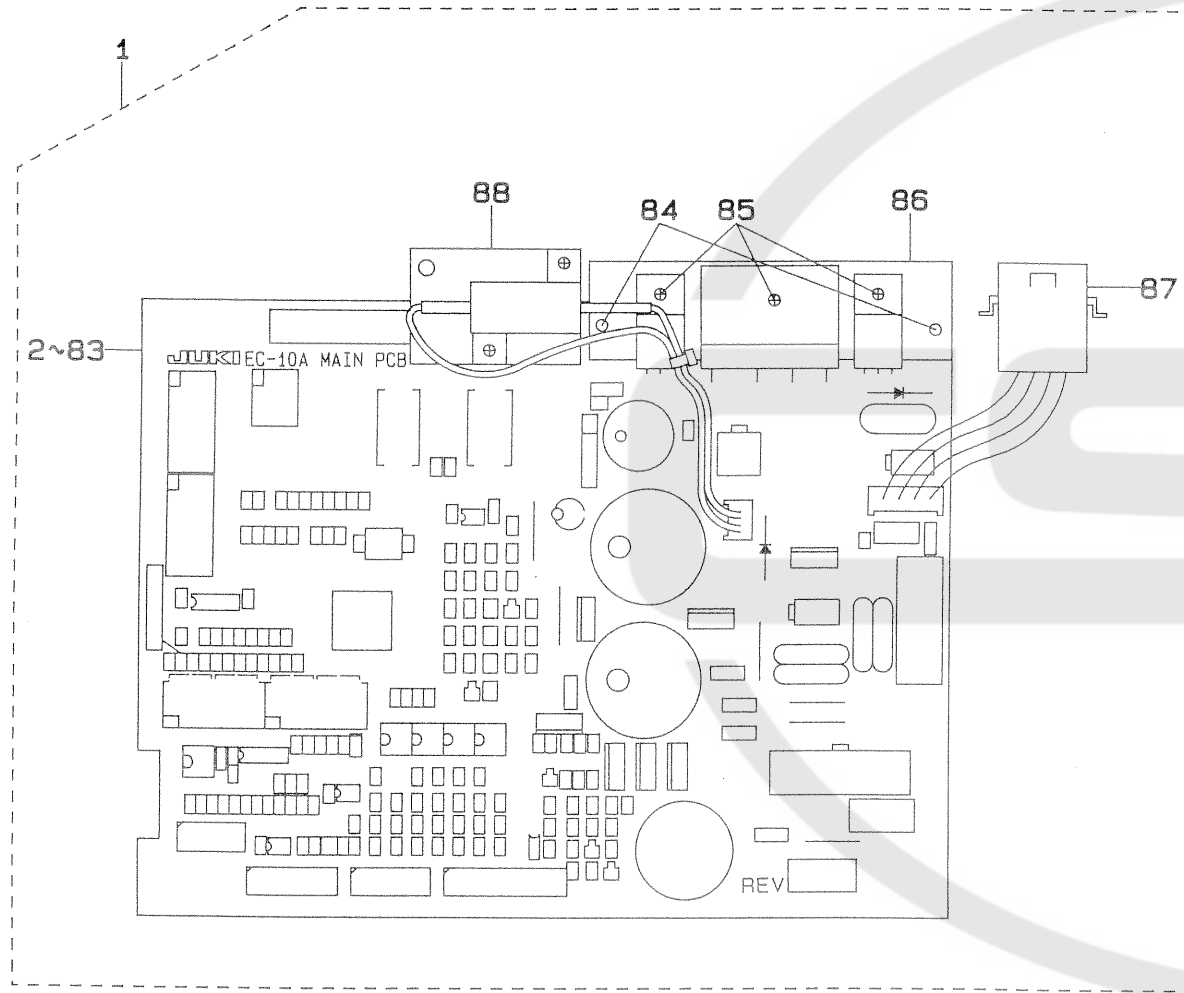
29188208
No.1103-01

1. PSC BOX COMPONENTS



REF.NO	NOTE	PART NO.	DESCRIPTION	Qty
1		M3002-430-000	BOX SUSPEND METAL FITTINGS	2
2		SL-4041201-CF	SCREW M4 L=12	4
3		M8503-430-0A0	BOX COVER ASM.	1
4		M8002-430-000	STOPPER	(3)
5		SL-4042091-SC	SCREW M4X0.7 L=20	(3)
6		M3001-435-000	PSC BOX (CE)	1
7		SL-4041081-SF	SCREW M4 L=10	6
8		SL-4041081-SF	SCREW M4 L=10	(3)
9		M8506-435-0A0	RADIATOR RESISTOR ASM.	1
10		SL-4041081-SF	SCREW M4 L=10	1
11		M8502-435-DA0	TRANSFORMER ASM., D	1
12		HK-0443500-30	TERMINAL BASE 3P	(1)
13		SM-4030801-SF	SCREW M3X0.5 L=8	(2)
14		M8801-435-000	INSULATING WASHER	(2)
15		WP-0430801-SC	WASHER 4.3X9X0.8	(2)
16		SM-4045551-SF	SCREW M4 L=55	(2)
17		EA-9500B01-00	CABLE BAND	(1)
18		M8508-435-0A0	AC INPUT CORD ASM.	1
19		HX-0025200-0B	CORD BUSH	1
20		M3302-435-000	RUBBER CAP	1
21		HF-0088110-00	FUSE HOLDER	1
22		HF-0030002-00	FUSE 2A (250V)	1
23		SL-4041081-SF	SCREW M4 L=10	1
24		M3301-435-000	RUBBER BUSHING	1
25		SL-4041081-SF	SCREW M4 L=10	4
26		M8505-435-BA0	PEDAL SENSOR UNIT B ASM.	1
27		M8507-430-0A0	SENSOR VR PLATE ASM.	(1)
28		M8508-430-0A0	SENSOR VR ASM.	(1)
29		M3210-430-000	SENSOR VR FITTING PLATE	(1)
30		EA-9500B01-00	CABLE BAND	(1)
31		M3205-301-000	PEDAL LEVER	(1)
32		M2003-110-000	PEDAL LINK	(1)
33		M2004-110-000	VOLUME LINK	(1)
34		M4012-351-000	ADJUST SCREW	(2)
35		M2010-110-000	ADJUST NUT	(2)
36		M4008-351-000-A	SPRING SHAFT A	(1)
37		M4011-351-000	SPRING B	(2)
38		M4009-351-000-A	SPRING SHAFT B	(1)
39		M3202-430-000	SPRING	(1)
40		SM-8040802-TP	SCREW M4X8	(2)
41		SL-4030681-SF	SCREW M3 L=6	(2)
42		SM-4030801-SF	SCREW M3X0.5 L=8	(1)
43		M3201-435-000	PEDAL SENSOR BASE	(1)

2. MAIN CIRCUIT BOARD COMPONENTS



REF. NO	NOTE	PART NO.	DESCRIPTION	Qty
1		M8601-435-BA0	MAIN PCB B ASH.	1
2		M9601-435-000	IC (UPD78212)	(1)
3		HL-0145900-00	IC (UPC78M05AHF)	(2)
4		HL-0132400-00	IC (M51957BFP)	(1)
5		HL-0084700-00	IC (UPC324G)	(1)
6		HL-0063200-00	IC (UPC393G)	(1)
7		HL-0131000-00	IC (UPC358G2)	(1)
8		HL-0084500-00	IC (UPC393G)	(1)
9		HT-0044000-00	TRANSISTOR (2SD1795)	(1)
10		HT-0044300-00	MOS FET (2SK1307)	(3)
11		HT-0044200-00	MOS FET (2SK1306)	(3)
12		HT-0044400-00	TRANSISTOR (2SC3739)	(1)
13		HT-0040500-00	TRANSISTOR (RN1502)	(5)
14		HT-0028800-00	TRANSISTOR (RN1406)	(1)
15		HG-0056400-00	DIODE BRIGDE (S1VB20)	(1)
16		HG-0056300-00	DIODE BRIGDE (RBV1506)	(1)
17		HG-0052200-00	DIODE (SC015-2)	(7)
18		HG-2674014-0P	DIODE (U05E)	(2)
19		HG-0037600-00	DIODE (FHM-22S)	(1)
20		HG-0056500-00	DIODE (RB420D)	(2)
21		HG-0057000-00	ZENER DIODE (RD10MB)	(1)
22		HG-0037400-00	LIGHT EMITTING DIODE,RED	(2)
23		HC-0373033-20	CAPACITOR 3300HF	(1)
24		HC-0373010-10	CAPACITOR 100MF	(1)
25		HC-0406033-20	CAPACITOR 3300MF	(2)
26		HC-0377033-S0	CAPACITOR 0.33MF	(2)
27		HC-0216010-S0	CAPACITOR 0.1MF	(14)
28		HC-0365110-20	CAPACITOR 1000PF	(4)
29		HC-0378110-10	CAPACITOR 100PF	(1)
30		HC-0379130-00	CAPACITOR 30PF	(2)
31		HC-0216010-T0	CAPACITOR 0.01MF	(12)
32		HR-0223022-0A	RESISTOR 22 OHM 2W	(1)
33		HR-0223047-2A	RESISTOR 4.7K OHM 2W	(1)
34		HR-0291010-00	RESISTOR 10 OHM 1W	(3)
35		HR-0291047-20	RESISTOR 4.7K OHM 1W	(1)
36		HR-0342010-10	RESISTOR 100 OHM	(1)
37		HR-0342056-10	RESISTOR 560 OHM	(1)
38		HR-0342010-20	RESISTOR 1K OHM	(12)
39		HR-0342020-20	RESISTOR 2K OHM	(3)
40		HR-0342022-20	RESISTOR 2.2K OHM	(11)
41		HR-0342047-20	RESISTOR 4.7K OHM	(32)
42		HR-0342051-20	RESISTOR 5.1K OHM	(2)
43		HR-0342010-30	RESISTOR 10K OHM	(8)
44		HR-0342036-10	RESISTOR 360 OHM	(2)
45		HR-0342075-10	RESISTOR 750 OHM	(2)
46		HR-0342068-20	RESISTOR 6.8K OHM	(1)
47		HR-0342047-30	RESISTOR 47K OHM	(7)
48		HR-0342015-40	RESISTOR 150K OHM	(1)
49		HR-0343100-10	RESISTOR 1.00K OHM	(1)
50		HR-0343113-00	RESISTOR 113 OHM	(1)
51		HR-0343121-00	RESISTOR 121 OHM	(5)
52		HR-0343243-00	RESISTOR 243 OHM	(4)
53		HR-0343374-00	RESISTOR 374 OHM	(5)
54		HR-0343487-00	RESISTOR 487 OHM	(4)
55		HR-0343976-00	RESISTOR 976 OHM	(4)
56		HR-0343750-10	RESISTOR 7.50K OHM	(1)
57		HR-0343237-20	RESISTOR 23.7K OHM	(2)
58		HR-0343102-10	RESISTOR 1.02K OHM	(1)
59		HR-0343255-10	RESISTOR 2.55K OHM	(1)
60		HR-0342011-30	RESISTOR 11K OHM	(1)
61		HR-0342033-20	RESISTOR 3.3K OHM	(1)
62		HR-0343221-00	RESISTOR 221 OHM	(1)
63		HR-0343294-00	RESISTOR 294 OHM	(1)
64		HR-0343261-10	RESISTOR 2.61K OHM	(1)
65		HR-0343590-20	RESISTOR 59.0K OHM	(4)
66		HR-0177051-00	RESISTOR 51 OHM 5W	(1)
67		HR-0277010-3A	ADJUSTABLE RESISTOR	(5)
68		HN-0003700-00	ZNR 22V	(4)
69		HN-0003700-0B	ZNR 220V	(1)
70		HA-0038800-00	SWITCH	(2)
71		E9646-252-G00	LEVER	(2)
72		HA-0018200-40	DIP SWITCH 4P	(1)
73		HA-0018200-80	DIP SWITCH 8P	(4)
74		HY-0008900-00	CERAMIC RESONATOR 12MHZ	(1)
75		M9003-110-000	6-POLE CONNNECTOR	(1)
76		HK-0346000-20	HEADER 2P (WHITE)	(1)
77		HK-0346000-2B	HEADER 2P (YELLOW)	(1)
78		HK-0346000-40	HEADER 4P (WHITE)	(1)
79		HK-0038100-50	STRAIGHT HEADER	(1)
80		HK-0038100-70	7-POLE STRAIGHT PLUG	(1)
81		HK-0063200-7B	7 POLE CONNECTOR	(1)
82		HK-0038101-00	10-POLE STRAIGHT PLUG	(1)
83		HK-0346001-40	14-POLE CONNECTOR	(1)
84		SL-4030881-SF	SCREW M3 L=8	(2)
85		SL-4031081-SF	SCREW M3 L=10	(3)
86		M8001-430-000	RADIATOR PLATE	(1)
87		M8503-435-0A0	CLUTCH BRAKE CORD ASH.	(1)
88		M8504-435-0A0	RADIATOR RESISTOR ASH. (FL)	(1)

Control Equipment for Industrial Sewing Machine

ミシンコントローラ

EC-10B

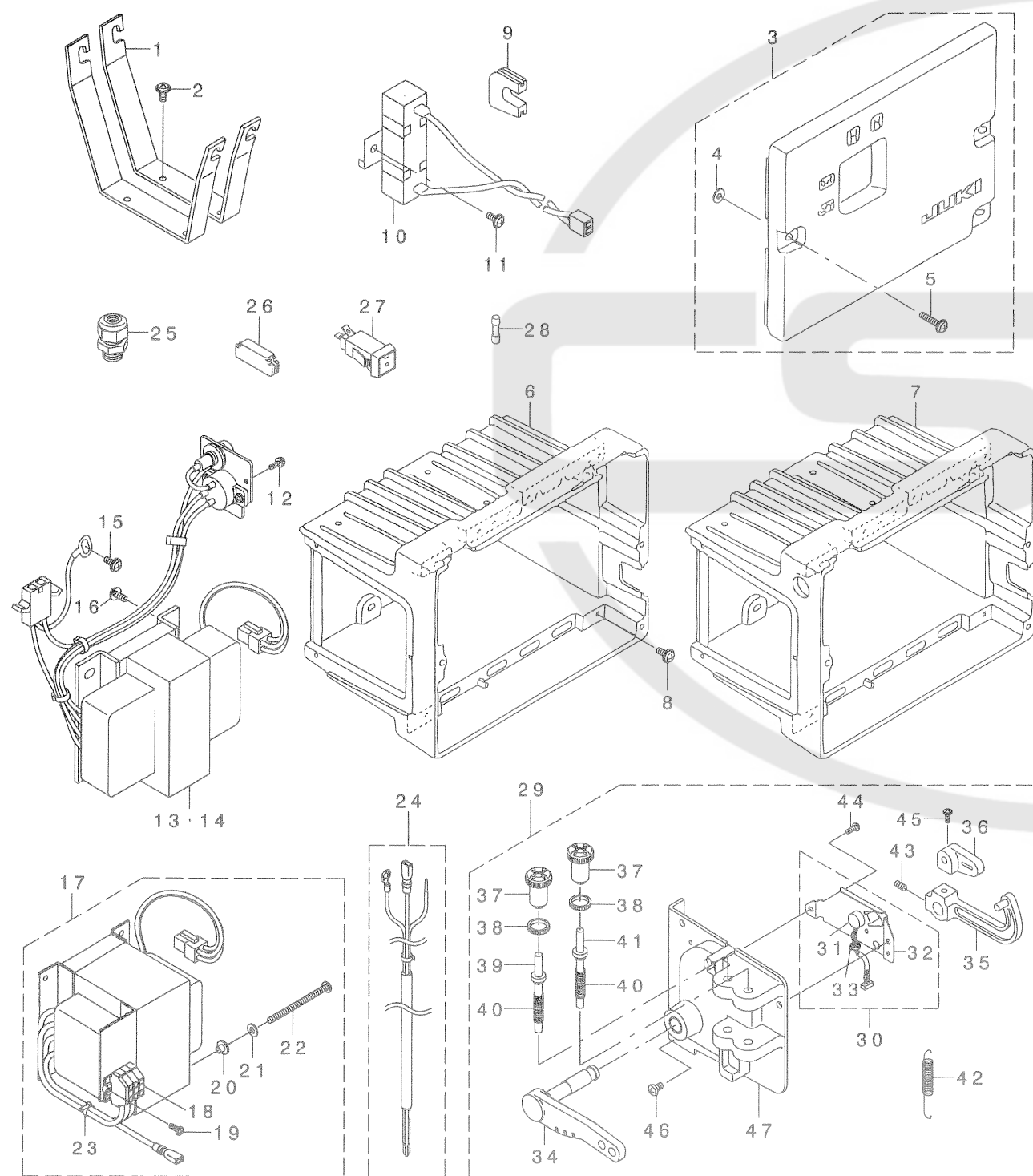
PARTS LIST

29316700

No.1232-00

1. PSC BOX COMPONENTS

PSCボックス関係



REF. NO	NOTE	PART NO.	DESCRIPTION	ヒョウメイ	Qty
1		M3002-430-000	BOX SUSPEND METAL FITTINGS	ホックスツリカナク	2
2		SL-4041201-CF	SCREW M4 L=12	サカネツキネジ	4
3		M8503-430-0A0	BOX COVER ASM.	ホックスカバー-クミ	1
4		M8002-430-000	STOPPER	ネジストップ	(3)
5		SL-4042091-SC	SCREW M4X0.7 L=20	ナハコネジ セルス M4X0.7 L=20	(3)
6		M3001-439-000	PSC BOX B	PSCホックスB	1
7	#03	M3002-439-000	PSC BOX B (CE)	PSCホックスB(CE)	1
8		SL-4041081-SF	SCREW M4 L=10	ナハコネジ セルス M4 L=10	6
9		M3301-439-000	RUBBER BUSH	ゴムアブツシュ	1
10		M8506-435-0A0	RADIATION RESISTANCE ASM.	ホウネツテイコウクミ(クラツチ)	1
11		SL-4041081-SF	SCREW M4 L=10	ナハコネジ セルス M4 L=10	1
12		SL-4031081-SF	SCREW M3 L=10	ナハコネジ セルス M3 L=10	2
13	#01	M8502-439-AA0	TRANSFORMER ASM., A	デソクセントランスAクミ	1
14	#02	M8502-439-CA0	TRANSFORMER ASM., C	デソクセントランスCクミ	1
15		SL-4041081-SF	SCREW M4 L=10	ナハコネジ セルス M4 L=10	1
16		SL-4041081-SF	SCREW M4 L=10	ナハコネジ セルス M4 L=10	4
17	#03	M8502-439-BA0	TRANSFORMER ASM., B	デソクセントランスBクミ	1
18		HK-0443500-30	3-POLE TERMINAL BASE.	タンソクイ3P	(1)
19		SM-4030801-SF	SCREW M3X0.5 L=8	ナハコネジ M3X0.5 L=8	(2)
20		M8801-435-000	INSULATING WASHER	セツエンワツシヤ	(2)
21		WP-0430801-SC	WASHER 4.3X9X0.8	ヒラサカネ 4.3X9X0.8	(2)
22		SM-4045551-SF	SCREW M4 L=55	ナハネジ M4 L=55	(2)
23		EA-9500B01-00	CABLE BAND	ソクセンバンド	(1)
24	#03	M8508-435-0A0	AC INPUT POWER SOURCE CORD ASM	ACニユリヨクコトクミ	1
25	#03	HX-0025200-0B	CORD PART	ソクセンバンド	1
26	#03	M3302-435-000	RUBBER COVER.	ゴムフタ	1
27	#03	HF-0088110-00	FUSE HOLDER.	ヒューズホルダ	1
28	#03	HF-0030002-00	FUSE 2A (220/240V)	ソクタンヒューズ	1
29		M8505-439-BA0	PEDAL SENSOR UNIT B ASM.	ペダルセンサユニットBクミ	1
30		M8507-439-0A0	VR MOUNT PLATE ASM.	VRトリツケイタクミ	(1)
31		M8508-439-0A0	VR ASM.	VRクミ	(1)
32		M3210-430-000	SENSOR VR FITTING PLATE	センサVRトリツケイタ	(1)
33		EA-9500B01-00	CABLE BAND	ソクセンバンド	(1)
34		M3205-301-000	PEDAL LEVER	ペダルレバ	(1)
35		M2003-110-000	PEDAL LINK	ペダリンク	(1)
36		M2004-110-000	VOLUME LINK	ボリュームリンク	(1)
37		M4012-351-000	ADJUST SCREW	フミカエシアツチヨウセイネジ	(2)
38		M2010-110-000	ADJUST NUT	フミカエシアツチヨウセツナツト	(2)
39		M4008-351-000-A	SPRING SHAFT A	バネシャフトA	(1)
40		M4011-351-000	SPRING B	フミカエシバネB	(2)
41		M4009-351-000-A	SPRING SHAFT B	バネシャフトB	(1)
42		M3202-430-000	SPRING	マエフミバネ	(1)
43		SM-8040802-TP	SCREW M4X8	トメネジ M4X0.7 L=8	(2)
44		SL-4030681-SF	SCREW M3 L=6	ナハコネジ セルス M3 L=6	(2)
45		SM-4030801-SF	SCREW M3X0.5 L=8	ナハコネジ M3X0.5 L=8	(1)
46		SL-4041081-SF	SCREW M4 L=10	ナハコネジ セルス M4 L=10	(3)
47		M3201-435-000	PEDAL SENSOR BASE	ペダルセンサベース	(1)

NOTE (注記)

#01... FOR 220~240V

#02... FOR 110, 220V

#03... FOR CE

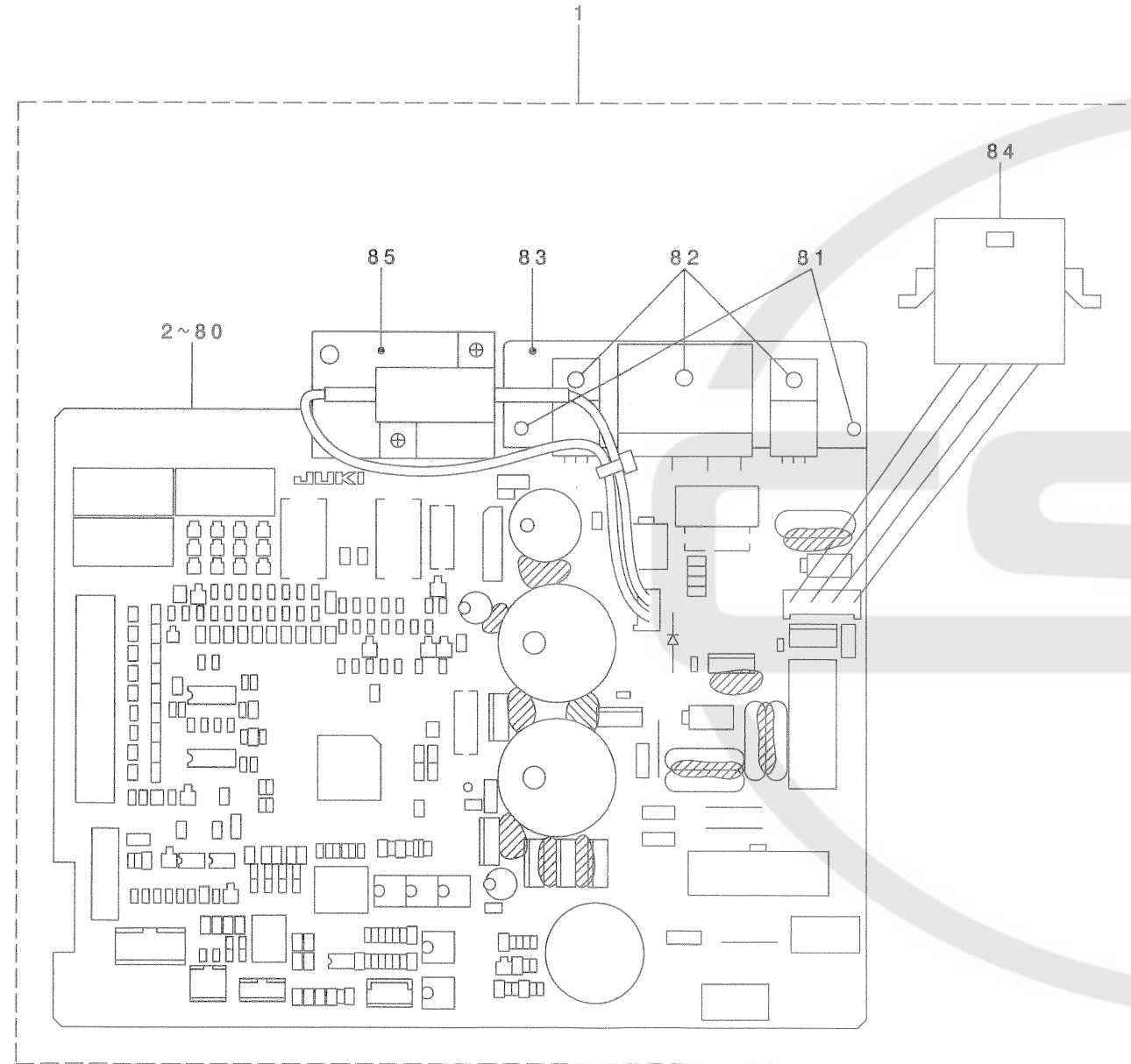
220~240V用

110, 220V用

CE用

2. MAIN CIRCUIT BOARD COMPONENTS

メイン基板関係



REF. NO	NOTE	PART NO.	DESCRIPTION	ヒソメイ	Qty
1		M8601-439-AA0	MAIN CURCUIT BOARD ASM.,A	メイン基板アサミ	1
2		M8601-439-000	MAIN CIRCUIT BOARD	メイン基板	(1)
3		HL-0084500-00	IC (UPC339G)	IC	(2)
4		HL-0063200-00	IC (UPC393G)	IC	(1)
5		HL-0131000-00	IC (UPC358G2)	IC	(1)
6		HL-0132400-00	IC (M51957BFP)	IC	(1)
7		HL-0174800-00	EEPROM 93LC46	EEPROM	(1)
8		KL-0000000-60	MICRO COMPUTER	マイコン	(1)
9		HT-0048800-00	TRANSISTOR ARRAY	トランジスタアレイ	(7)
10		HT-0028800-00	TRANSISTOR (RN1406)	トランジスタ	(4)
11		HT-0029200-00	TRANSISTOR (RN2406)	トランジスタ	(2)
12		HT-0049000-00	FET	FET	(3)
13		HT-0049100-00	FET	FET	(3)
14		HT-0044000-00	TRANSISTER (2SD1795)	トランジスタ	(1)
15		HT-0044400-00	TRANSISTOR (2SC3739)	トランジスタ	(1)
16		HG-0037600-00	DIODE (FMM-22S)	ダイオード	(1)
17		HG-0052200-00	DIODE (SC016-2)	ダイオード	(7)
18		HG-2674014-0P	DIODE (U05E)	ダイオード (U05E)	(2)
19		HG-0037100-00	DIODE (1SS226)	ダイオード	(1)
20		HG-0062000-00	DIODE ARRAY	ダイオードアレイ	(1)
21		HG-0061900-00	DIODE ARRAY	ダイオードアレイ	(13)
22		HG-0056400-00	DIODE BRIDGE (S1VB20)	セイブリブリ	(1)
23		HG-0056300-00	DIODE BRIDGE (RBV1506)	セイブリブリ	(1)
24		HG-0037400-00	LIGHT EMITTING DIODE, RED	LED	(1)
25		HK-0346000-40	HEADER 4P (WHITE)	コネクタ 4P	(1)
26		HK-0346000-2B	HEADER 2P (YELLOW)	コネクタ 2P	(1)
27		HK-0566002-00	STRAIGHT HEADER 20P	ストレートヘッド 20P	(1)
28		HK-0320000-30	STRAIGHT HEADER 3P	ストレートヘッド 3P	(1)
29		HK-0038100-70	7-POLE STRAIGHT PLUG	ストレートプラグ 7P	(1)
30		HK-0198000-40	HEADER 4P	コネクタ 4P	(1)
31		HK-0489001-2A	HEADER 12P	コネクタ 12P	(1)
32		HK-0063200-7B	7 POLE CONNECTOR	コネクタ 7P	(1)
33		HK-0346001-40	14-POLE CONNECTOR	コネクタ 14P	(1)
34		HK-0346000-20	HEADER 2P (WHITE)	コネクタ 2P	(1)
35		HK-0489000-6A	HEADER 6P	コネクタ 6P	(1)
36		HN-0003700-0B	ZNR 220V	ZNR 220V	(1)
37		HN-0003700-00	SURGE ABSORBER 22V	ZNR 22V	(4)
38		HC-0373047-20	ELECTROLYTIC CAPACITOR	コンデンサ	(1)
39		HC-0406033-20	CAPACITOR 3300MF/50V	アルミコンデンサ	(2)
40		HC-0373010-10	CAPACITOR 100MF	アルミコンデンサ	(2)
41		HC-0377033-S0	CAPACITOR 0.33MF	タングラム	(1)
42		HC-0216010-S0	CAPACITOR 0.1MF	コンデンサ	(25)
43		HC-0216010-T0	CAPACITOR 0.1MF	コンデンサ	(21)
44		HC-0365110-20	CAPACITOR 1000PF	コンデンサ	(14)
45		HC-0378110-10	CAPACITOR 100PF	セラミック	(1)
46		HR-0223047-2A	RESISTOR 4.7K OHM 2W	抵抗器	(1)
47		HR-0291010-00	RESISTOR 10 OHM 1W	抵抗器	(3)
48		HR-0291047-20	RESISTOR 4.7K OHM 1W	抵抗器	(1)
49		HR-0177051-00	RESISTOR 51 OHM 5W	抵抗器	(1)
50		HR-0223022-0A	RESISTOR 22 OHM 2W	抵抗器	(1)
51		HR-0394121-00	RESISTOR 1% 1/16W 121	抵抗器	(1)
52		HR-0394374-00	RESISTOR 1% 1/16W 374	抵抗器	(1)
53		HR-0394261-10	RESISTOR 1% 1/16W 2.61K	抵抗器	(1)
54		HR-0394100-10	RESISTOR 1% 1/16W 1.0K	抵抗器	(1)
55		HR-0394590-20	RESISTOR 1% 1/16W 59.0K	抵抗器	(4)
56		HR-0393010-10	RESISTOR 5% 1/16W 100	抵抗器	(18)
57		HR-0393010-20	RESISTOR 5% 1/16W 1.0K	抵抗器	(31)
58		HR-0393022-20	RESISTOR 5% 1/16W 2.2K	抵抗器	(10)
59		HR-0393033-20	RESISTOR 5% 1/16W 3.3K	抵抗器	(2)
60		HR-0393047-20	RESISTOR 5% 1/16W 4.7K	抵抗器	(42)
61		HR-0393068-20	RESISTOR 5% 1/16W 6.8K	抵抗器	(1)
62		HR-0393082-20	RESISTOR 5% 1/16W 8.2K	抵抗器	(1)
63		HR-0393010-30	RESISTOR 5% 1/16W 10.0K	抵抗器	(14)
64		HR-0393047-30	RESISTOR 5% 1/16W 47K	抵抗器	(7)
65		HR-0393010-40	RESISTOR 5% 1/16W 100K	抵抗器	(2)
66		HR-0393015-40	RESISTOR 5% 1/16W 150K	抵抗器	(1)
67		HR-0343301-00	RESISTOR 1% 1/10W 301	抵抗器	(3)
68		HR-0342030-20	RESISTOR 5% 1/10W 3K	抵抗器	(7)
69		HR-0342010-30	RESISTOR 5% 1/10W 10K	抵抗器	(2)
70		HR-0342027-30	RESISTOR 5% 1/10W 27K	抵抗器	(2)
71		HR-0342039-10	RESISTOR 5% 1/10W 390	抵抗器	(2)
72		HR-0342056-10	RESISTOR 5% 1/10W 560	抵抗器	(2)
73		HR-0277010-3A	ADJUSTABLE RESISTOR	可変抵抗器	(5)
74		HA-0038800-00	SWITCH	スイッチ	(2)
75		HA-0018200-80	DIP SWITCH 8P	ディップスイッチ	(3)
76		HA-0018200-40	DIP SWITCH 4P	ディップスイッチ	(1)
77		E9646-252-G00	LEVER	レバー	(2)
78		HY-0013900-00	OSCILLATOR	発振器	(1)
79		HL-0133200-00	IC (78M12F)	レギュレータ	(1)
80		HL-0105400-00	IC(TA7805S)	IC(TA7805S)	(1)
81		SL-4030881-SF	SCREW	ネジ	(2)
82		SL-4031081-SF	SCREW M3 L=10	ネジ	(3)
83		M8001-430-000	RADIATOR PLATE	放射板	(1)
84		M8503-435-0A0	CLUTCH BRAKE CORD ASM.	クラッチブレーキコードアサミ	(1)
85		M8504-435-0A0	RADIATOR RESISTOR	放射器抵抗器	(1)